

LINZHANG HUAYE CARBON CO.,LTD



LINZHANG HUAYE CARBON CO.,LTD

Company Profile

Linzhang Huaye CarbonCo.,Ltd was founded in May.15th 2012, it is a specialized manufactory in selling graphite products. At the same time, we have long-term cooperation with several world-renowned manufacturers, such as Fangda Carbon, Jilin Carbon and Jianglong Carbon. Main products are all kinds of graphite electrode, graphite block, graphite fines, graphite scrap, injection carbon and so on. At present, our products have been sold to Middle East, North America, India, Vietnam and other places with annual sales of over 20,000 tons. And our products are well received by customers all over the world because of quality assurance and good after-service.

ADD: Xiqianfangbiao Village, Linzhang Town, Handan City, Hebei Province, China
EMAIL: huaye_carbon@126.com TEL: 0086-15097669477

LINZHANG HUAYE CARBON CO.,LTD

Process

Calcining:

The annual capacity of more than 200,000 mts.

Dosing Kneading and forming:

High automatic dosing systems, kneaders with 2000-4000 liters, 40 MN, 35MN, 25MN oil extruder, large scale vibrating forming machines, 60MN iso-static machine and cold and hot mould machines.

Baking and Impregnation:

Ring baking furnaces with 30-36 rooms, electrode cleaning machine, tunnel kilns, impregnation systems.

ADD: Xiqianfangbiao Village, Linzhang Town, Handan City, Hebei Province, China
EMAIL: huaye_carbon@126.com TEL: 0086-15097669477

LINZHANG HUAYE CARBON CO.,LTD

Process

Graphitization:

16700-20000KVA DC graphitization furnaces and 18500KVA LWG furnaces.

Machining:

Auto-machining lines and pre-assembling iron platform with 20*20m and 16*16m(precision less than 0.2 mm)

Performance Testing:

A complete inspection system for testing and analyzing physical and chemical data of carbon material.

ADD: Xiqianfangbiao Village, Linzhang Town, Handan City, Hebei Province, China
EMAIL: huaye_carbon@126.com TEL: 0086-15097669477

LINZHANG HUAYE CARBON CO.,LTD



Electrically calcined furnace.



Electrode forming extruder.



Vibratory compaction machine.



Circular backing furnace.



High-pressure impregnation tank.



Machining Line for Nipples.

ADD: Xiqianfangbiao Village, Linzhang Town, Handan City, Hebei Province, China
EMAIL: huaye_carbon@126.com TEL: 0086-15097669477

LINZHANG HUAYE CARBON CO.,LTD



Graphitization furnace.



Lengthwise graphitization furnace.



Machining Line for Electrode.



Universal testing machine.



Thermal expansion measuring instrument.



Thermal conductivity measuring instrument.

ADD: Xiqianfangbiao Village, Linzhang Town, Handan City, Hebei Province, China
EMAIL: huaye_carbon@126.com TEL: 0086-15097669477

LINZHANG HUAYE CARBON CO.,LTD

Guidance of Using

Being hard and brittle, artificial graphite electrode shall be specially handled. Proper operation may reduce the consumption and cost.

- 1. Use special hoist tools to hoist graphite electrode. It is strictly forbid to prize electrode ends up with crowbar. It must be handled with great careness during transportation to avoid damage.
- 2. Graphite electrode must be kept away from being moistened or wetted by rain, snow and water, and must be kept dry. It must be dried in the furnace before use. The drying temperature in the furnace shall be less than 120°C. The drying period shall be not less than 48 hours.
- 3. Not to be stored up near clay, slag etc. to avoid surface pollution and increasing resistivity.
- 4. Carefully checking before connection, make sure that the socked and nipple thread is not damaged, nipple pitch plug is in. Nipple screw shall not be damaged during lifting.

LINZHANG HUAYE CARBON CO.,LTD

Guidance of Using

- 5. Blow the nipple and socket threads with compressed air.
- 6. Graphite electrode must be connected and contacted closely and straightly. Use moment spanner for connecting electrode with suitable force. The gap between electrodes shall less than 0.4mm.
- 7. The holding device must hold the electrode tightly, good contact and no arc. Otherwise, the connecting area will get red and oxidized and thin, leading breakage.
- 8. Threaded portion of nipple socket shall not be damaged during hoisting by metal plug. Hoisting plug shall spin out and keep nipple socket clean.
- 9. Lifting device of electrode must move stably when moving electrode. Carefully check the position of the furnace cover after being repaired. To seal the cover with refractory to prevent up electrode from being oxidized by fire.

LINZHANG HUAYE CARBON CO.,LTD

Guidance of Using

- 10. The holding device of electrode shall hold the electrode beyond the socket area.
- 11. For charging the furnace, the large scrap should be put at the bottom, the small ones on the top. Charge material with low electric conductivity shall not be put on the top. In the course of melting, un-melted material shall be taken in time to avoid electrode breaking by falling material.

LINZHANG HUAYE CARBON CO.,LTD

Product introduction

Graphite electrode. Type: UHP, SHP, HP, HD, RP.

Unit: mm				
Diameter	Max.	Min.	Black Skin Min.	Length
75	78	73	72	1000/1200/1400/1600
100	103	98	97	1000/1200/1400/1600
130	132	127	126	1000/1200/1400/1600
150	154	149	146	1200/1400/1600/1800
175	179	174	171	1200/1400/1600/1800
200	205	200	197	1600/1800
225	230	225	222	1600/1800
250	256	251	248	1600/1800/2000
300	307	302	299	1600/1800/2000/2200
350	358	352	349	1600/1800/2000/2200
400	409	403	400	1600/1800/2000/2200

ADD: Xiqianfangbiao Village, Linzhang Town, Handan City, Hebei Province, China
EMAIL: huaye_carbon@126.com TEL: 0086-15097669477

LINZHANG HUAYE CARBON CO.,LTD

Product introduction - Graphite electrode

Graphite electrode. Type: UHP, SHP, HP, HD, RP.

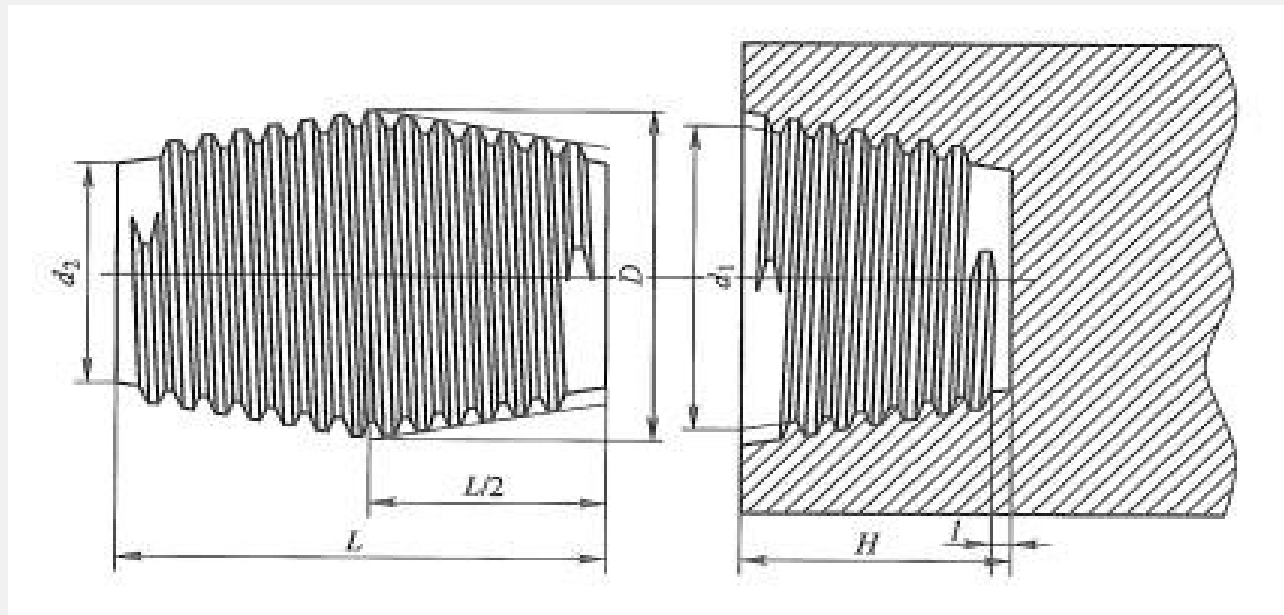
Unit: mm				
Diameter	Max.	Min.	Black Skin Min.	Length
450	460	454	451	1600/1800/2000/2200
500	511	505	502	1800/2000/2200/2400
550	562	556	553	1800/2000/2200/2400/2700
600	613	607	604	2000/2200/2400/2700
650	663	659	656	2000/2200/2400/2700
700	714	710	707	2000/2200/2400/2700
750	765	761	758	2000/2200/2400/2700
800	816	812	809	2000/2200/2400/2700

ADD: Xiqianfangbiao Village, Linzhang Town, Handan City, Hebei Province, China
EMAIL: huaye_carbon@126.com TEL: 0086-15097669477

LINZHANG HUAYE CARBON CO.,LTD

Product introduction - Graphite electrode

Graphite electrode Nipple. Type: UHP, SHP, HP, HD, RP.

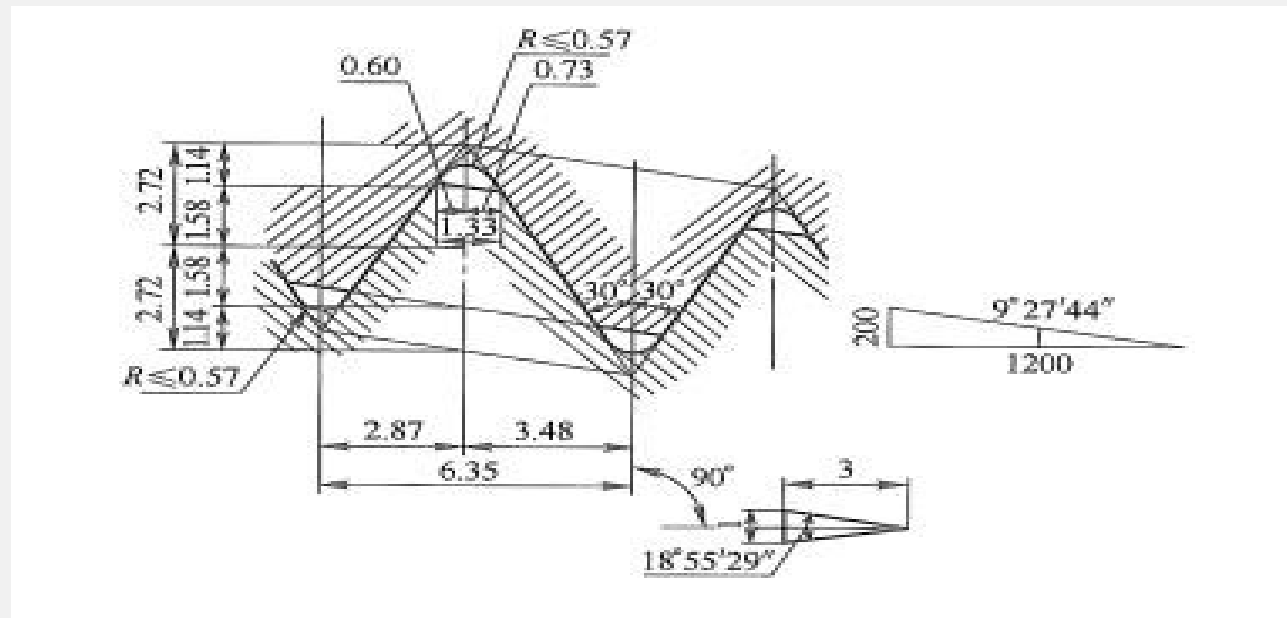


ADD: Xiqianfangbiao Village, Linzhang Town, Handan City, Hebei Province, China
EMAIL: huaye_carbon@126.com TEL: 0086-15097669477

LINZHANG HUAYE CARBON CO.,LTD

Product introduction - Graphite electrode

Graphite electrode Nipple. Type: UHP, SHP, HP, HD, RP.

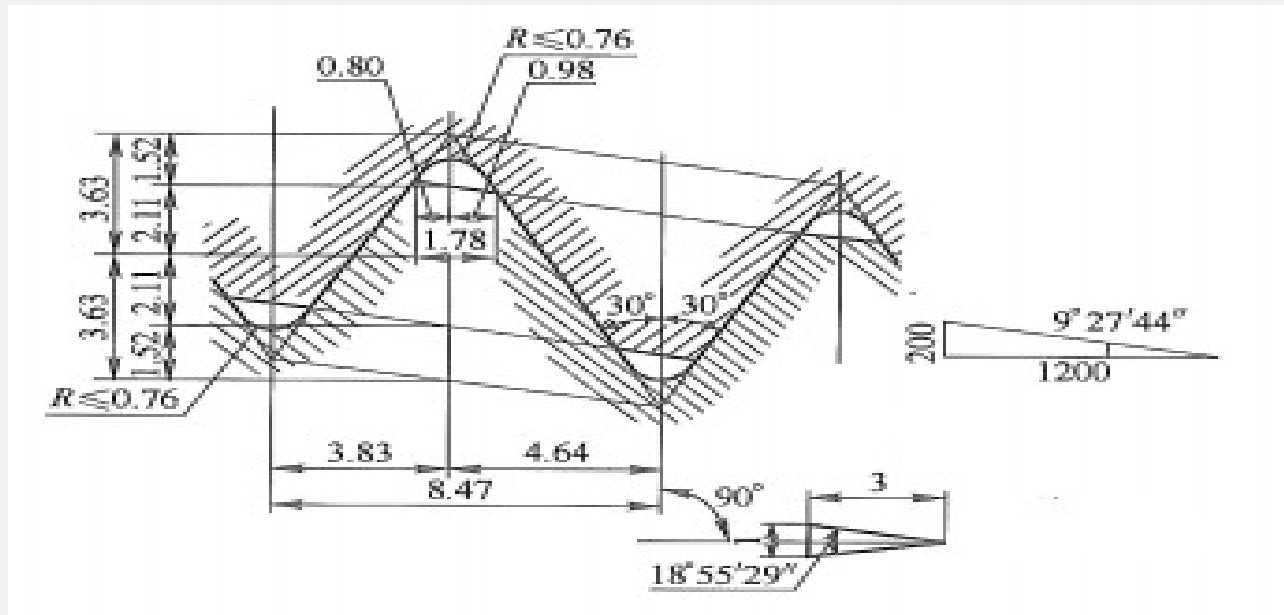


ADD: Xiqianfangbiao Village, Linzhang Town, Handan City, Hebei Province, China
EMAIL: huaye_carbon@126.com TEL: 0086-15097669477

LINZHANG HUAYE CARBON CO.,LTD

Product introduction - Graphite electrode

Graphite electrode Nipple. Type: UHP, SHP, HP, HD, RP.



ADD: Xiqianfangbiao Village, Linzhang Town, Handan City, Hebei Province, China
EMAIL: huaye_carbon@126.com TEL: 0086-15097669477

LINZHANG HUAYE CARBON CO.,LTD

Product introduction - Graphite electrode

Graphite electrode Nipple. Type: UHP, SHP, HP, HD, RP.

Unit:mm	Nipple					Nipple socket			Screw pitch
Diameter	D	L	d2	l	d1	H			
225	139.70	203.20	90.73		131.27	107.60		8.47	
250	155.57	220.00	103.80		147.14	116.00			
300	177.16	270.90	116.90		168.73	141.50			
350	215.90	304.80	150.00		207.47	158.40			
400	215.90	304.80	150.00		207.47	158.40			
400	241.30	338.70	169.80	<10	232.87	175.30			
450	241.30	338.70	169.80		232.87	175.30			
450	273.05	355.60	198.70		264.62	183.80			
500	273.05	355.60	198.70		264.62	183.80			
500	298.45	372.60	221.30		290.02	192.20			
550	298.45	372.60	221.30		290.02	192.20			

ADD: Xiqianfangbiao Village, Linzhang Town, Handan City, Hebei Province, China

EMAIL: huaye_carbon@126.com TEL: 0086-15097669477

LINZHANG HUAYE CARBON CO.,LTD

Product introduction - Graphite electrode

Graphite electrode Nipple. Type: UHP, SHP, HP, HD, RP.

Unit:mm	Nipple						Nipple socket				Screw pitch	
Diameter	D		L	d2		l	d1		H			
75	46.04	0 -0.50	76.20	0 -1	20.80	0 -5	<7	39.72	+0.50 0	44.10	+7 0	6.35
100	69.85		101.60		40.30			63.53		56.80		
130	79.38		127.00		45.60			73.06		69.50		
150	92.08		139.70		56.20			85.76		75.90		
200	122.24		177.80		80.00			115.92		94.90		
225	139.70		177.80		97.46			133.38		94.90		
250	152.40		190.50		108.00			146.08		101.30		
300	177.80		215.90		129.20			171.48		114.00		
350	203.20		254.00		148.20			196.88		133.00		
400	222.25		304.80		158.80			215.93		158.40		
400	222.25	355.60	150.00	215.93	183.80							

ADD: Xiqianfangbiao Village, Linzhang Town, Handan City, Hebei Province, China

EMAIL: huaye_carbon@126.com TEL: 0086-15097669477

LINZHANG HUAYE CARBON CO.,LTD

Product introduction - Graphite electrode

Graphite electrode Nipple. Type: UHP, SHP, HP, HD, RP.

Unit:mm	Nipple					Nipple socket			Screw pitch
Diameter	D	L	d2	l	d1	H			
450	241.30	304.80	177.90		234.98	158.40		6.35	
450	241.30	355.60	169.42		234.98	183.80			
500	269.88	355.60	198.00		263.56	183.80			
500	269.88	457.20	181.08		263.56	234.60			
550	298.45	355.60	226.58		292.13	183.80			
550	298.45	457.20	209.65	<7	292.13	234.60	+7		
600	317.50	355.60	245.63	-5	311.18	183.80	0		
600	317.50	457.20	228.70		311.18	234.60			
650	355.60	457.20	266.79		349.28	234.60			
650	355.60	558.80	249.86		349.28	285.40			
700	374.64	457.20	285.84		368.33	234.60			

ADD: Xiqianfangbiao Village, Linzhang Town, Handan City, Hebei Province, China

EMAIL: huaye_carbon@126.com TEL: 0086-15097669477

LINZHANG HUAYE CARBON CO.,LTD

Product introduction - Graphite electrode

Graphite electrode Nipple. Type: UHP, SHP, HP, HD, RP.

Unit:mm	Nipple						Nipple socket				Screw pitch
Diameter	D	L	d2	l	d1	H					
700	374.65	558.80	268.91		368.33	285.40			6.35		
750	406.40	584.20	296.42		400.08	298.10					
750	406.40	609.60	292.19	<7	400.08	310.80	+0.50	+7			
800	431.80	635.00	313.36		425.48	323.50	0	0			
800	431.80	685.80	304.89		425.48	348.90					

ADD: Xiqianfangbiao Village, Linzhang Town, Handan City, Hebei Province, China
 EMAIL: huaye_carbon@126.com TEL: 0086-15097669477

LINZHANG HUAYE CARBON CO.,LTD

Product introduction - Graphite electrode

Graphite electrode. Type: UHP, SHP, HP, HD, RP.

<i>Current Load recommendation form</i>		
<i>Diameter/mm</i>	<i>Permissible current load/A</i>	<i>Current density/(A/cm²)</i>
75	1000 - 1400	22 - 31
100	1500 - 2400	19 - 30
130	2200 - 3400	17 - 26
150	3000 - 4500	16 - 25
200	5000 - 6900	15 - 21
250	7000 - 10000	14 - 20
300	10000 - 13000	14 - 18
350	13500 - 18000	14 - 18
400	18000 - 23500	14 - 18
450	22000 - 27000	13 - 17
500	25000 - 32000	13 - 16
550	28000 - 34000	12 - 14
600	30000 - 36000	11 - 13
650	32000 - 39000	10 - 12
700	34000 - 42000	9 - 11

ADD: Xiqianfangbiao Village, Linzhang Town, Handan City, Hebei Province, China

EMAIL: huaye_carbon@126.com TEL: 0086-15097669477

LINZHANG HUAYE CARBON CO.,LTD

Product introduction - Graphite electrode

Graphite electrode. Type: UHP, SHP, HP, HD, RP.



ADD: Xiqianfangbiao Village, Linzhang Town, Handan City, Hebei Province, China
EMAIL: huaye_carbon@126.com TEL: 0086-15097669477

LINZHANG HUAYE CARBON CO.,LTD

Product introduction - Graphite block

Place of Origin:	Chian (Mainland)
Application:	Mechanical Industry and so on
Max. grain size:	0.8 mm or Requirement
Flexural Strength:	≥17.5Mpa
C.T.E.(100-600)°C :	≤2.4 10-6/°C
Brand Name:	DM
Dimensions:	As customer's requirement
Bulk Density:	≥1.75 g/m³
Compressive strength:	≥40.0 Mpa
Ash Content:	≤0.09%
Specific resistance:	≤8.3 μΩ.m
Chemical Composition:	99.90%
Thermal Conductivity:	≥150w/(m*k)
Grade:	Anode/Cathode
Packing:	Wooden pallets covered with foil for water resistant, reinforced by steel struo outside, around one ton per pallet.



ADD: Xiqianfangbiao Village, Linzhang Town, Handan City, Hebei Province, China
EMAIL: huaye_carbon@126.com TEL: 0086-15097669477

LINZHANG HUAYE CARBON CO.,LTD

Product introduction - Graphite fines

Place of Origin:	Chian (Mainland)
Size:	Requirement
Shape:	Graphite fines
Size in mesh:	Requirement
Packing:	Ton Bag
Brand Name:	DM
Type:	Artificial
Carbon Content:	High-Carbon
Fixed Carbon:	>98% or Requirement
Color:	Black
Sulphur Content:	<0.05% or Requirement
Other content:	Balance



ADD: Xiqianfangbiao Village, Linzhang Town, Handan City, Hebei Province, China
EMAIL: huaye_carbon@126.com TEL: 0086-15097669477

LINZHANG HUAYE CARBON CO.,LTD

Product introduction - Graphite scrap

Place of Origin:	Chian (Mainland)
Application:	Foundry coke replacement, copper smelting etc.
Ash Content:	1% Max.
Fixed Carbon:	98%
Brand Name:	DM
Dimensions:	30-80mm or As customer's requirement
S:	1% Max.
Chemical Composition:	Carbon
Moisture:	1% Max.
Packing:	In ton bag or loose in container.



ADD: Xiqianfangbiao Village, Linzhang Town, Handan City, Hebei Province, China
EMAIL: huaye_carbon@126.com TEL: 0086-15097669477

LINZHANG HUAYE CARBON CO.,LTD

Product introduction - Injection carbon

Place of Origin:	Chian (Mainland)
Application:	Put into the furnace and increase the carbon content
Max. grain size:	As customer's requirement
Classification:	Chemical Auxiliary Agent
MF:	C
Brand Name:	DM
Color:	Black
Type:	Adsorbent
Features:	Odorless, Non-Toxic
Purity:	Activated Carbon
Packing:	20KG/25KG bag in black PP woven bags.



ADD: Xiqianfangbiao Village, Linzhang Town, Handan City, Hebei Province, China
EMAIL: huaye_carbon@126.com TEL: 0086-15097669477

LINZHANG HUAYE CARBON CO.,LTD

Reliable Vendor Referred to...

MMK, Russia

Ural Steel Russia

Blue Scope Steel (Australia)

Mega Steel (Malaysia)

Simec Group (Mexico & USA)

Amalgamated Steel (Philippines)

Peru Steel (Peru)

Thyssen Krupp (German & Italy)

Altuwairqi Holding Group

Emirates Iron&Steel

...

ADD: Xiqianfangbiao Village, Linzhang Town, Handan City, Hebei Province, China

EMAIL: huaye_carbon@126.com TEL: 0086-15097669477